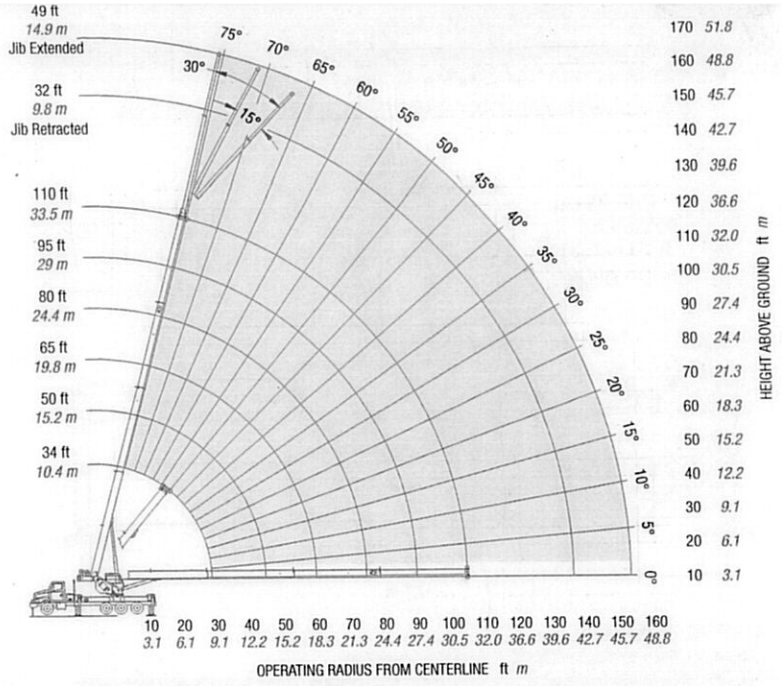
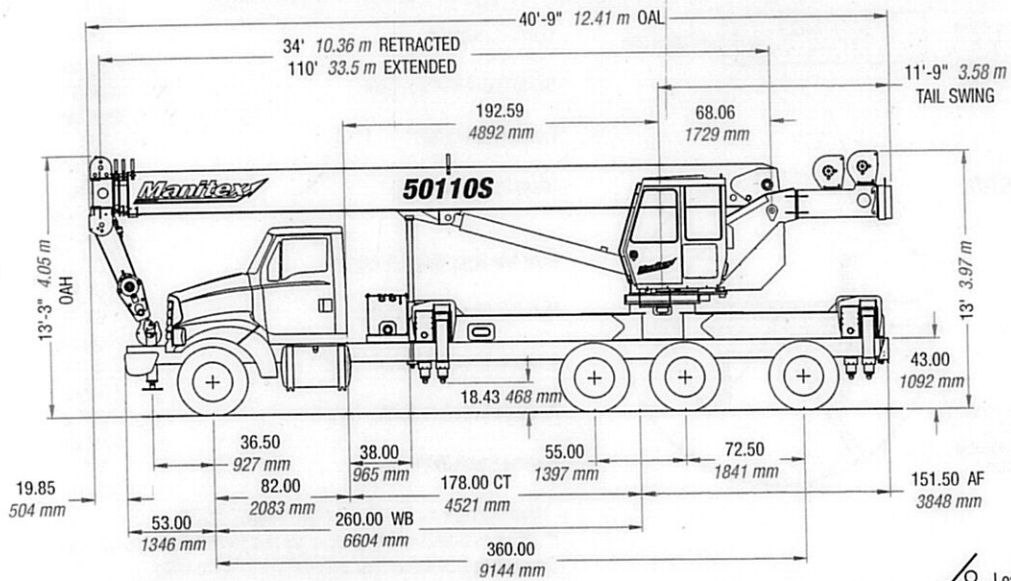




MODEL 50110S



Loaded boom Angle

FULLY EXTENDED OUTRIGGER SPREAD: MODEL 50110S

MAIN BOOM LOAD RATINGS

Operating Radius	Boom Length		A				B				C				D				E			
	34 Feet		50 Feet				65 Feet				80 Feet				95 Feet				110 Feet			
	10.36 Meters		15.24 Meters				19.81 Meters				24.38 Meters				28.96 Meters				33.53 Meters			
Feet	Meter	Over Rear		Full 360°		Over Rear		Full 360°		Over Rear		Full 360°		Over Rear		Full 360°		Over Rear		Full 360°		
		lb	kg	lb	kg	lb	kg	lb	kg	lb	kg	lb	kg	lb	kg	lb	kg	lb	kg	lb	kg	
6	1.83	71	100000	45359	100000	45359																
8	2.44	67.5	88100	39961	88100	39961																
10	3.05	63.5	77900	35335	77900	35335	73	51000	23133	51000	23133											
12	3.66	60	69900	31706	69900	31706	70.5	51000	23133	51000	23133											
15	4.57	53.5	60400	27397	60400	27397	67	51000	23133	51000	23133	73	40000	18144	40000	18144						
20	6.10	42	46100	20911	46100	20911	60.5	46400	21047	46400	21047	68.5	38810	17604	38810	17604	73.5	28230	12805	28230	12805	
25	7.62	26.5	35800	16239	35670	16180	53.5	36600	16601	36600	16601	63.5	33150	15037	33150	15037	69.5	24350	11045	24350	11045	
30	9.14						45.5	29670	13458	25590	11607	58.5	29000	13154	26150	11861	65.5	21280	9652	21280	9652	
35	10.67						36.5	23130	10492	18980	8609	53	23610	10709	19500	8845	61.5	19000	8618	19000	8618	
40	12.19						25	18360	8328	14680	6659	47	18850	8550	15190	6890	57.5	16870	7652	15470	7017	
45	13.72											40.5	15440	7003	12160	5516	53	15120	6858	12440	5643	
50	15.24											32.5	12870	5838	9920	4500	48	13130	5956	10190	4622	
55	16.76											22.5	10860	4926	8170	3706	43	11140	5053	8460	3837	
60	18.29																37	9540	4327	7080	3211	
65	19.81																30	8220	3729	5950	2699	
70	21.34																21	7110	3225	5010	2272	
75	22.86																					
80	24.38																					
85	25.91																					
90	27.43																					
95	28.96																					
100	30.48																					